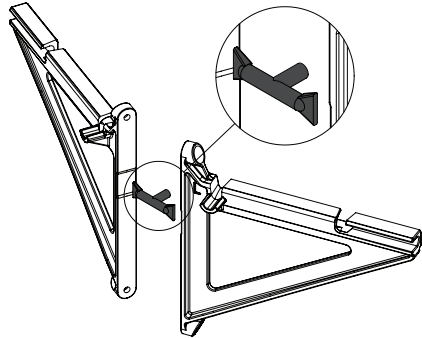


Installation Guide

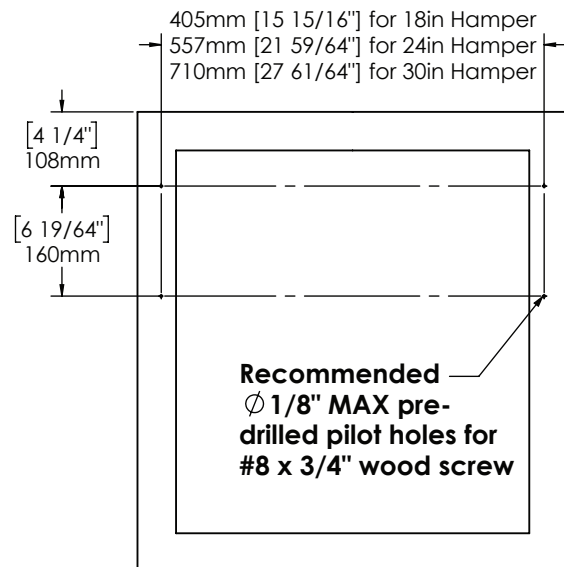
Tilt-Out Hamper

Snap to detach both brackets

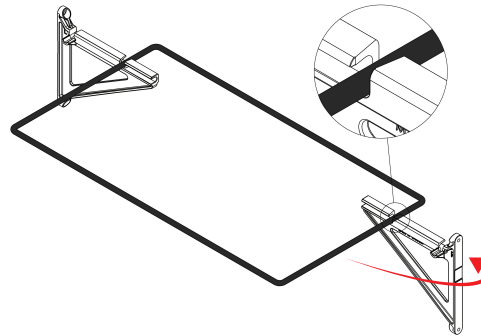
Detach and discard connector



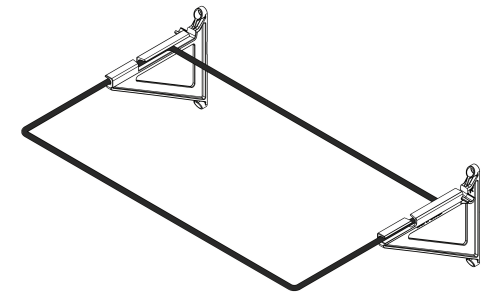
Recommended pre-drilled pilot holes



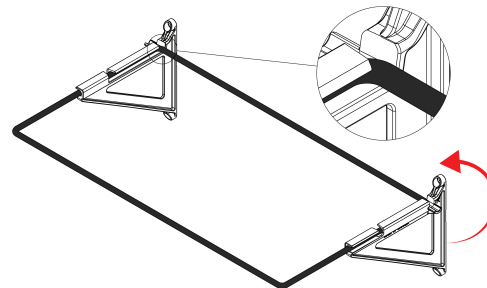
Step 1



Connect brackets to frame and rotate towards the back

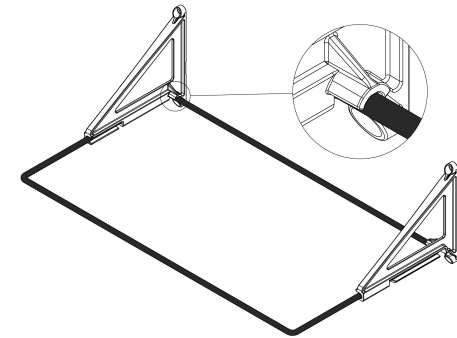


Step 2



Push corner against the bracket

Rotate the brackets up so the tab rests on the frame



Step 3

