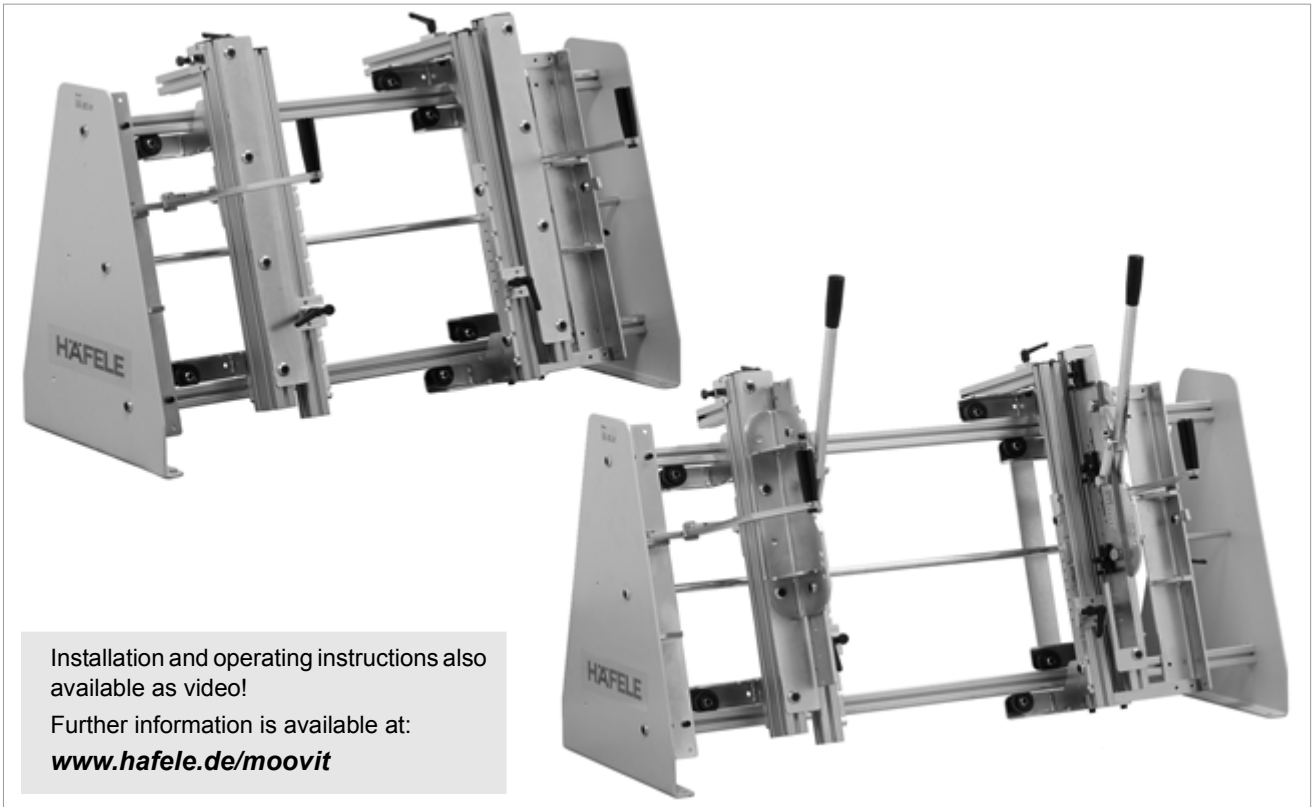


**Pressomat 100 / 200 and retrofitting set (optional)**

applies to Cat. No.:  
 553.69.003  
 553.69.004  
 553.69.007



Installation and operating instructions also available as video!  
 Further information is available at:  
[www.hafele.de/moovit](http://www.hafele.de/moovit)

<b>1. General information</b> .....	<b>2</b>
<b>2. Technical description</b> .....	<b>2</b>
<b>3. Appropriate application</b> .....	<b>2</b>
<b>4. Safety instructions</b> .....	<b>2</b>
4.1 Safety instructions for the transport / installation .....	2
4.2 Safety instructions for installation.....	2
4.3 Safety instructions for the operation, maintenance .....	2
<b>5. Transport</b> .....	<b>2</b>
<b>6. Unpacking / Check delivery</b> .....	<b>2</b>
<b>7. Installation</b> .....	<b>3</b>
7.1 Installation conditions .....	3
7.2 Pressomat installation .....	3
7.3 Extension assembly .....	3
7.4 Retrofitting set assembly.....	4
<b>8. Operation</b> .....	<b>5</b>
8.1 Set the drawer width. ....	5
8.2 Set the drawer length. ....	5
8.3 Secure the bottom and rear panel.....	6
8.4 Insert drawer sides.....	6
8.5 Attach the drawer sides and rear panel. Pressomat 100: .....	7
8.6 Attach the drawer sides and rear panel. Pressomat 200: .....	7
<b>9. Maintenance and repair</b> .....	<b>8</b>
<b>10. Spare parts</b> .....	<b>8</b>
<b>11. Technical data</b> .....	<b>8</b>

## 1. General information

This guide is intended for woodworkers. Please read instructions completely before beginning operation. Please keep instructions with unit for future reference.

## 2. Technical description

Drawer components can be assembled in small batch production with the aid of the Pressomat.

- **Maximum drawer width:**  
up to 600 mm (without extension)  
up to 1200 mm (with extension (included))
- **Required bottom panel thickness:** 16 mm.
- **Adjustable drawer side lengths:** 270 - 300 - 350 - 400 - 450 - 500 - 550 - 600 - 650 mm.

Two models are described in this manual. They differ as follows:

- **Pressomat 100 (Cat. No.: 553.69.003):**  
Drawer sides and bottoms are screwed together.
- **Pressomat 200 (Cat. No.: 553.69.004):**  
Drawer sides and bottoms are interlocked.

Pressomat 100 can be converted into a Pressomat 200 by attaching a retrofitting set (optional; Cat. No.: 553.69.007).

## 3. Appropriate application

The Pressomat may only be used in the manner as described in this manual. Any other use is considered as unintended and is therefore not allowed.

## 4. Safety instructions

### 4.1 Safety instructions for the transport / installation



#### Risk of injuries from falling loads!

- > Use suitable lifting equipment for transporting with a pallet, such as a forklift.
- > Observe total weight (see "11. Technical Data").
- > Call a second person to help when lifting from the pallet and setting up the Pressomat.

### 4.2 Safety instructions for installation



#### Risk of crushing injuries during the installation of the extension!

- > Secure the Pressomat with wooden blocks against falling prior to removing the lateral metal plate.

### 4.3 Safety instructions for the operation, maintenance



#### Risk of crushing injuries when operating with one hand!

- > Only operate the levers simultaneously using both hands.

## 5. Transport



#### Risk of injuries from falling loads!

- > Use suitable lifting equipment for transporting with a pallet, such as a forklift.
- > Observe total weight
- > (see "11. Technical Data").
- > Call a second person to help when lifting from the pallet and setting up the Pressomat.

## 6. Unpacking / Check delivery

- [1] Remove straps.
- [2] Dispose of packaging material environmentally friendly.
- [3] Check the delivery for completeness and inspect for shipping damage.
- [4] Contact the manufacturer, if parts are missing or damaged.

## 7. Installation

### 7.1 Installation conditions

#### Space requirements, table dimensions:

- without extension: **Min. table length of 120 cm**
- with extension: **Min. table length of 180 cm**
- **Min. table width of 75 cm**
- **Clearance** (in addition to table height):  
Pressomat 100 min. 90 cm;  
Pressomat 200 min. 110 cm
- **Recommended table height:** 350 - 400 mm

#### Minimum load bearing capacity of the table

- Pressomat 100: 200 kg
- Pressomat 200: 250 kg

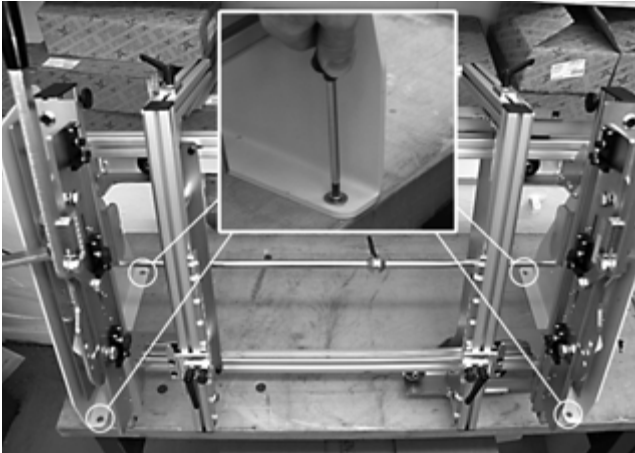
#### Installation tools

- Philips screwdriver
- 6 mm Hex key

### 7.2 Pressomat installation

[1] Place the Pressomat on the table.

[1] Screw in four screws (not included).



### 7.3 Extension assembly

**⚠ Risk of crushing injuries during the assembly of the extension!**

- > Secure the Pressomat with wooden blocks against falling prior to removing the lateral metal plate.

#### Note:

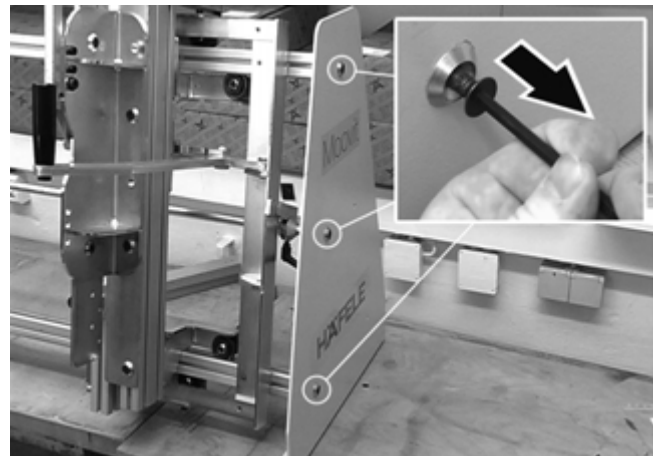
*The Pressomat can only be extended to the right..*

[1] Place wooden blocks underneath.

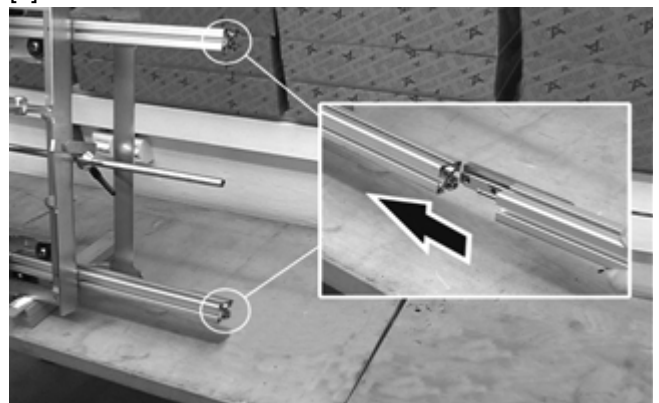


[2] Unscrew three screws.

Remove the right metal plate.

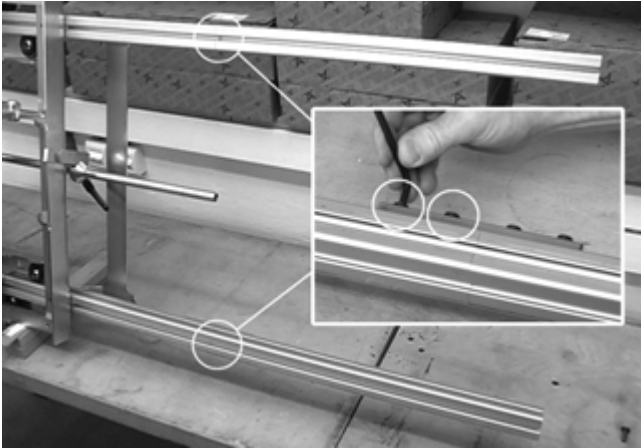


[3] Attach extension sections.

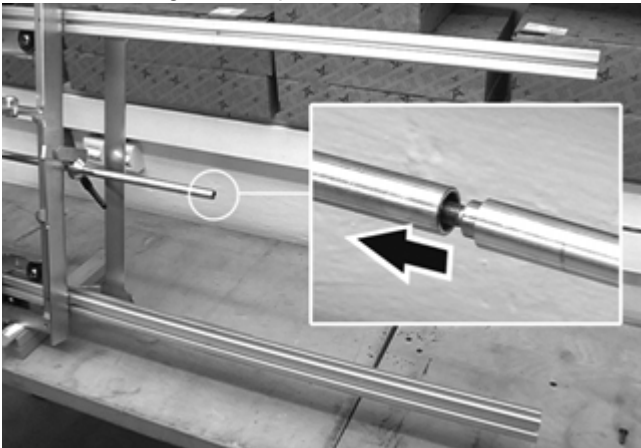


## 7.4 Retrofitting set assembly

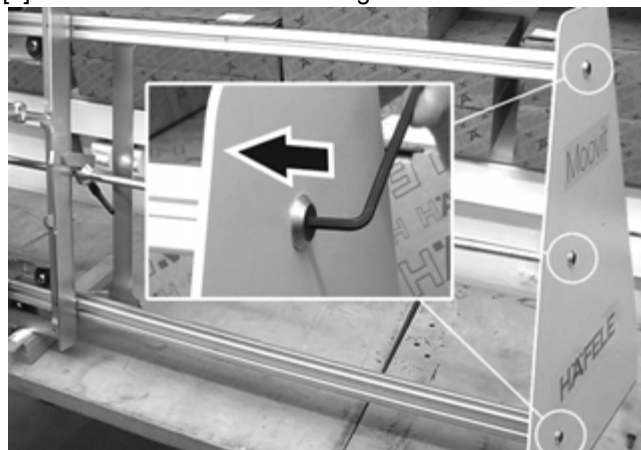
[4] Attach the extension sections with 2 screws.



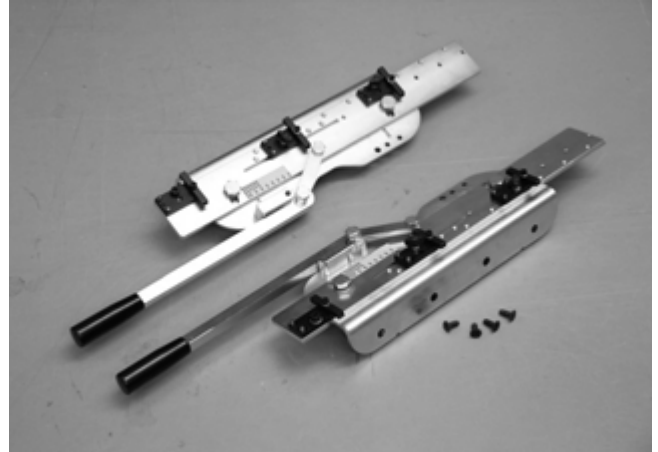
[5] Manually screw in the extension rod. Insert the right metal plate.



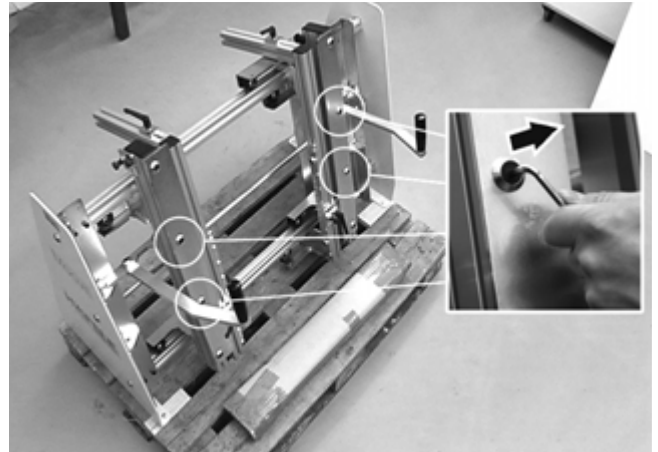
[6] Screw in three screws and tighten.



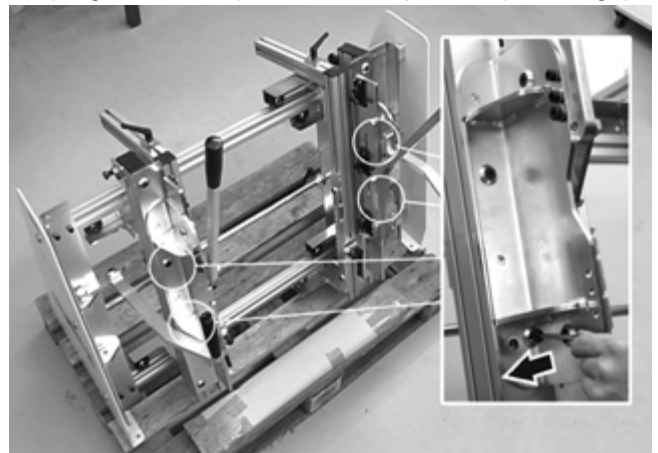
[1] Unpack the retrofitting set and keep available.



[2] Unscrew four screws and set aside.



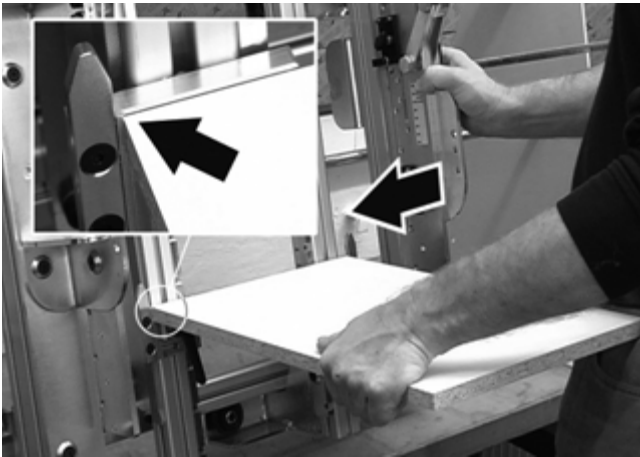
[3] Attach both clamping arms with two included screws (length of 30 mm). Observe the position (see image).



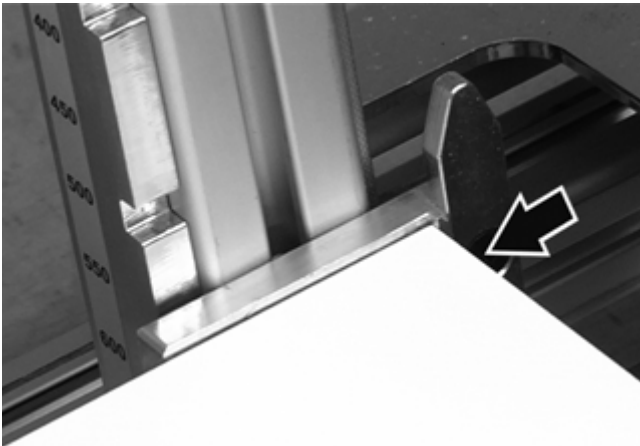
## 8. Operation

### 8.1 Set the drawer width.

[1] Place the drawer bottom on the left clamping arm.



[2] Push the right clamping arm to the stop.

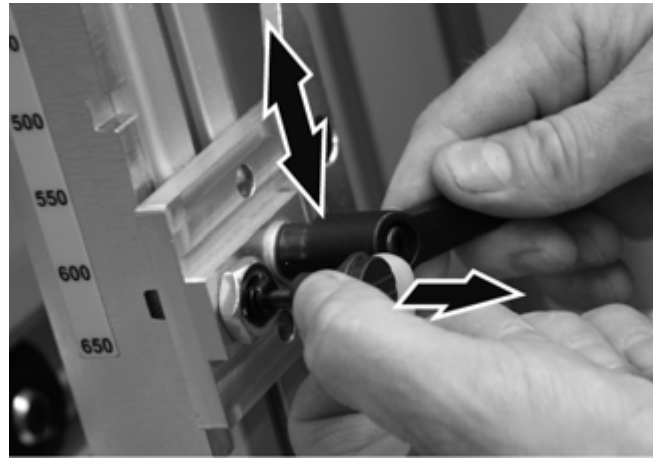


[3] Fix the position with the positioning device.



### 8.2 Set the drawer length.

[1] Slide the blocks to the required position by releasing the levers.



#### Note:

*Each notch is assigned to a certain drawer side length. The following drawer side lengths can be adjusted: 270 - 300 - 350 - 400 - 450 - 500 - 550 - 600 - 650.*

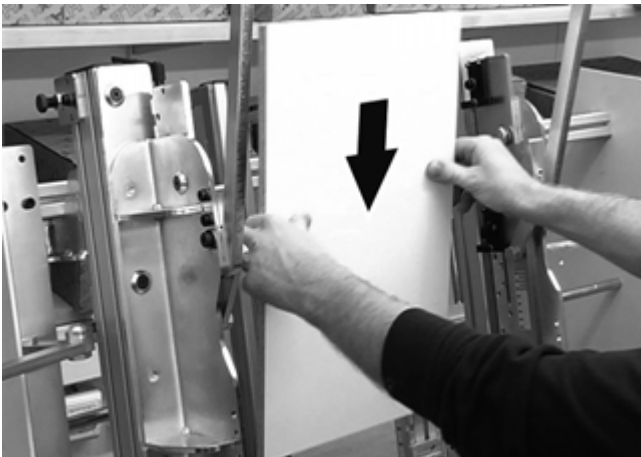


[2] Snap bracket into the desired notch. Secure the position by tightening the lever.



## 8.3 Secure the bottom and rear panel

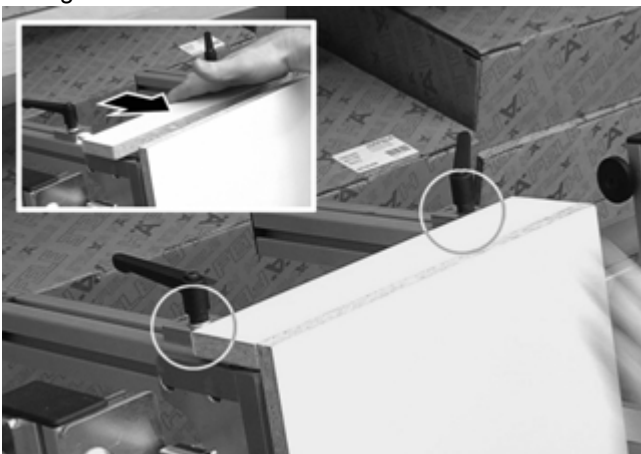
[1] Insert the bottom panel.



[2] Push the back panel flush to the bottom.



[3] Clamp the rear panel with depth gauges.  
Tighten the lever.



## 8.4 Insert drawer sides

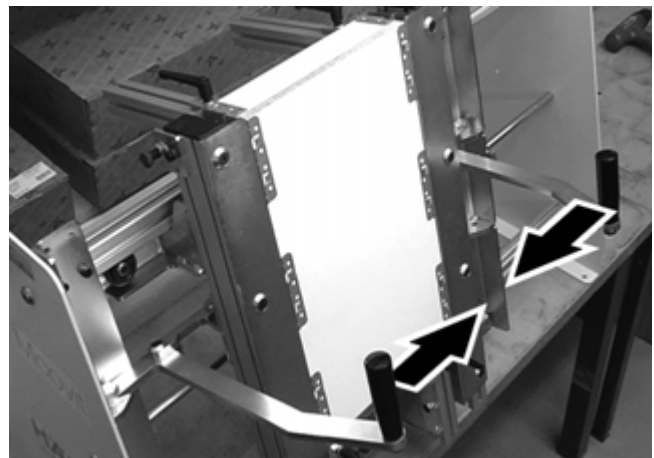
[1] Push the drawer side from above between the bottom panel and the drawer side pin and press against the bottom. Repeat the process with the second drawer side.



**⚠ Risk of crushing injuries when operating with one hand!**

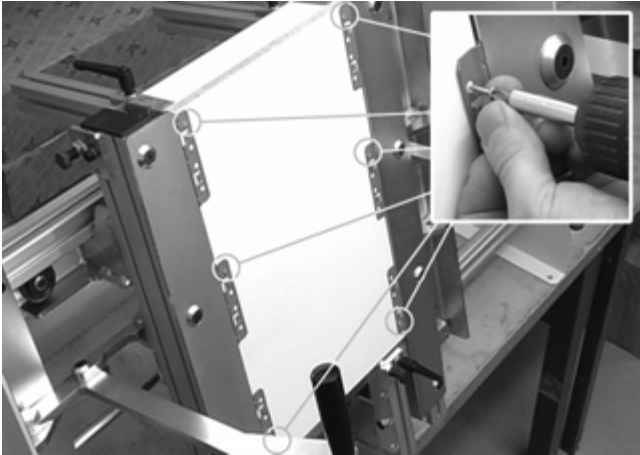
> Only operate the levers simultaneously using both hands.

[2] Press together both clamping levers.

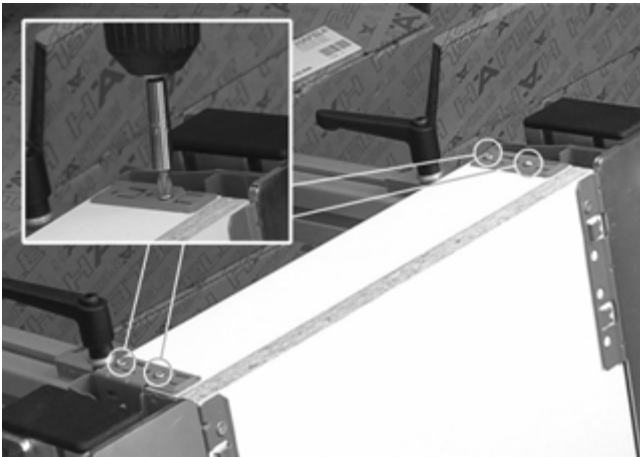


## 8.5 Attach the drawer sides and rear panel. Pressomat 100:

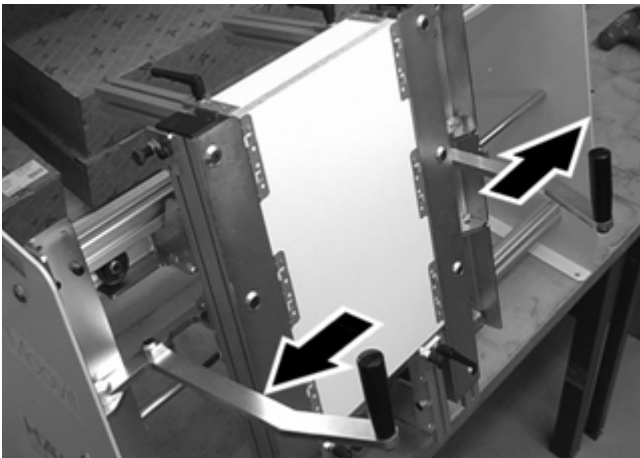
[1] Fix screws 3.5 x 15 mm (#6 x 5/8"-Flathead) into bottom panel (quantity as required).



[2] Fix screws 3.5 x 15 mm (#6 x 5/8"-Flathead) into rear panel (quantity as required).

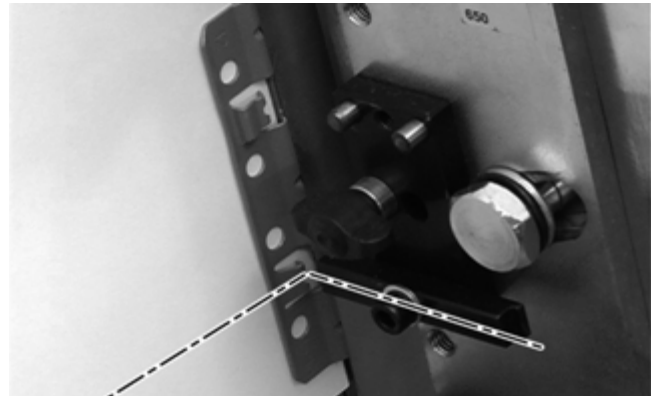


[3] Open both clamping levers. Remove the drawer.



## 8.6 Attach the drawer sides and rear panel. Pressomat 200:

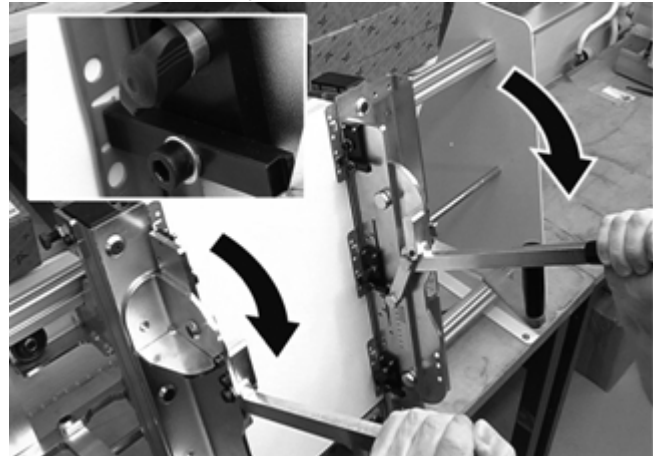
[1] If necessary, align the lower press in unit holder to the lower claws of the drawer sides. Remove the wing bolt and move the press in unit holder.



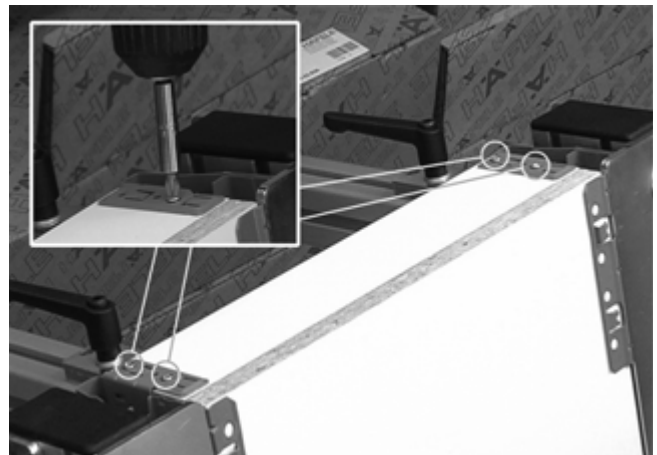
**⚠ Risk of crushing injuries when operating with one hand!**

> Only operate the levers simultaneously using both hands.

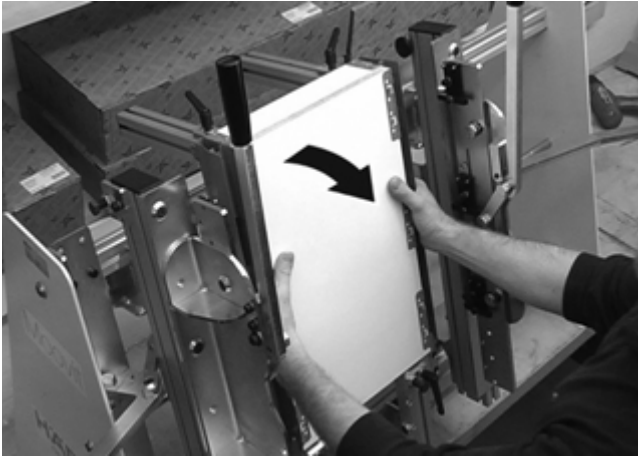
[2] Press both pressing levers up to the stop. The claws are thereby pressed into the bottom panel. Drawer sides and bottom panel are connected.



[3] Fix screws 3.5 x 15 mm (#6 x 5/8"-Flathead) into rear panel (quantity as required).



[4] Open all levers and remove the drawer.



## 9. Maintenance and repair

- Lubricate all movable parts as necessary.

## 10. Spare parts

- Replace damaged parts.
- Only use original replacement parts.
- For replacement parts please contact your local Häfele sales office.

## 11. Technical data

### Dimensions of the Pressomat 100:

- Length (without extension): 116 cm
- Length (with extension): 177 cm
- Width: 71 cm
- Height: 81 cm
- Weight: 82.5 kg (182 lbs)

### Dimensions of the Pressomat 200:

- Length (without extension): 116 cm
- Length (with extension): 177 cm
- Width: 71 cm
- Height: 100 cm
- Weight: 100 kg (220 lbs)

### Pressomat retrofitting set

- Weight: 17.5 kg (39 lbs)