

ENGAGE
divided shelf

31.6115.xx.xxx.xxx
+ 310.6180.14.xxx

FEATURES

Shelf dividers can be positioned and repositioned to create desired spaces

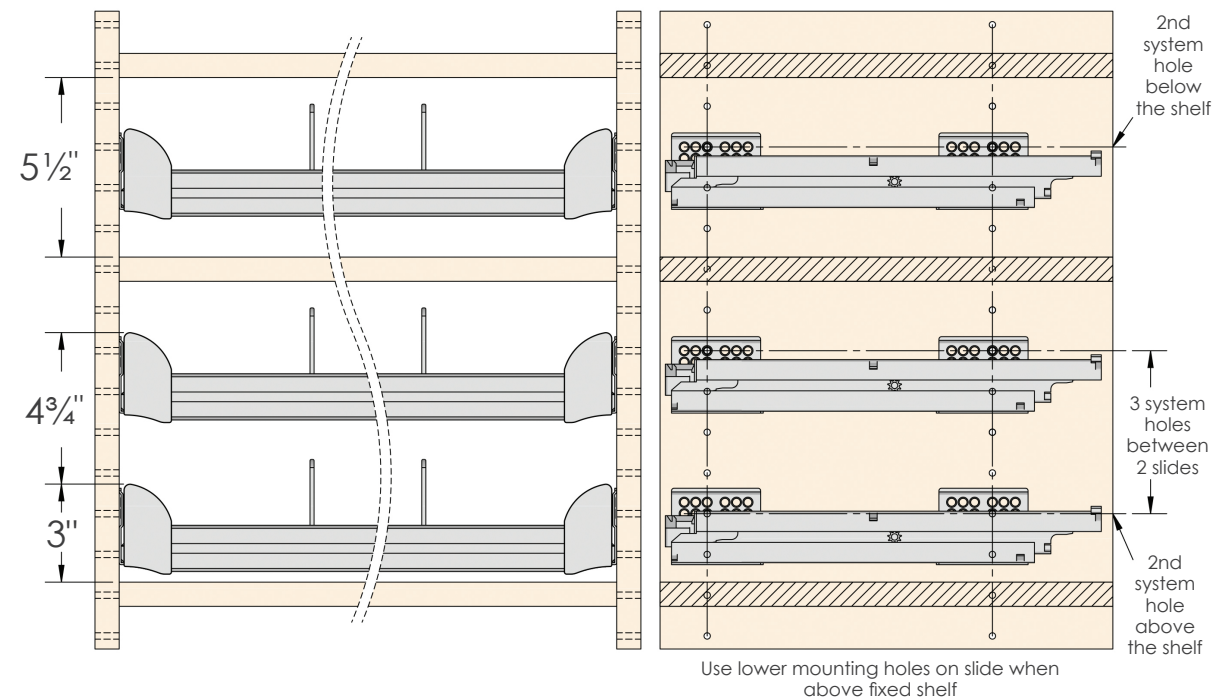
Perfect solution for storing jeans, handbags, hats and shoes

The metal dividers can be replaced with custom dividers using the included divider clips

Features undermount soft closing slides

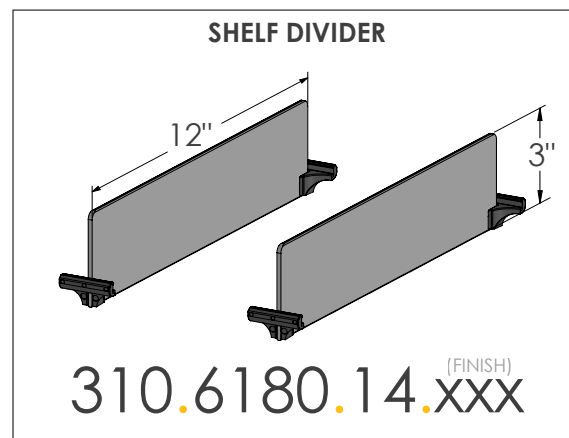
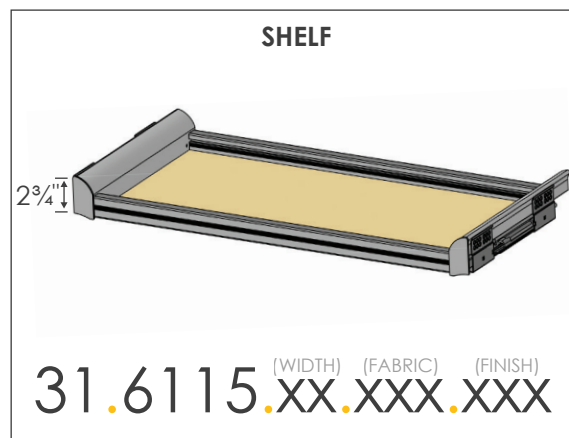


The Engage Folding Station easily transforms into a Divided Shelf with the addition of dividers!



DIMENSIONS

SPECS



OPTIONS

WIDTH: 18" 24" 30" 36" **DEPTH:** 14" **FABRIC:** BEA (BEACH) SLA (SLATE) **FINISH:** MAL (MATTE ALUMINUM) MNL (MATTE NICKEL) SG (SLATE) MG (MATTE GOLD) ORB (OIL RUBBED BRONZE)



31.6115.36.SLA.MAL
+ 310.6180.14.SLA
PATENT #: 9743765

FINISHED PRODUCT