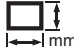


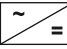







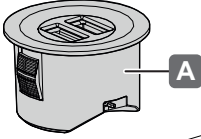
ESC 2001

833.73.751	833.73.754
833.73.752	833.73.755
833.73.753	833.73.756

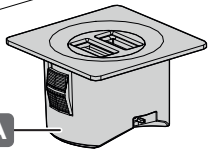
732.28.237

	W	T _A	 mm	 mm		
833.73.751 ■	15 W	-20 °C – +35 °C -4 °F – +95 °F	Ø 40 x 25.4	≥ Ø 50 x 35.4	2 x 1.05 A 2 x 5 V	 12 V
833.73.752 □						
833.73.753 ▣						
833.73.754 ■			40 x 40 x 25.4	≥ 50 x 50 x 35.4		
833.73.755 □						
833.73.756 ▣						

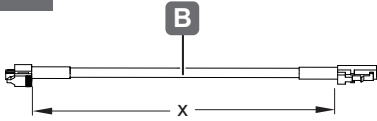


A



A

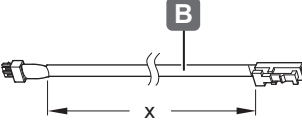
+



B

x

x	
500	833.72.880
1000	833.72.881
2000	833.72.882





B

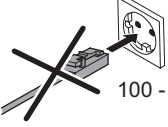
x

x	
500	833.72.128
1000	833.72.129
2000	833.72.123

i

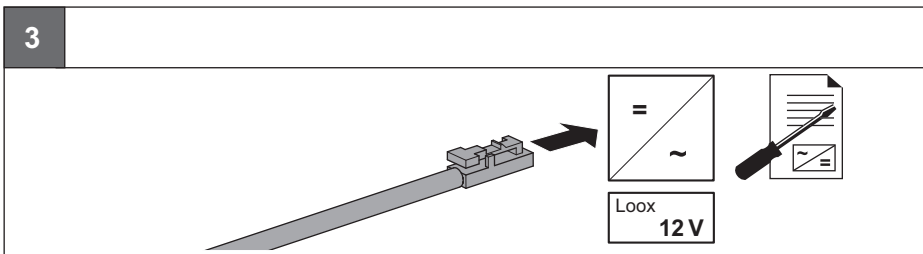
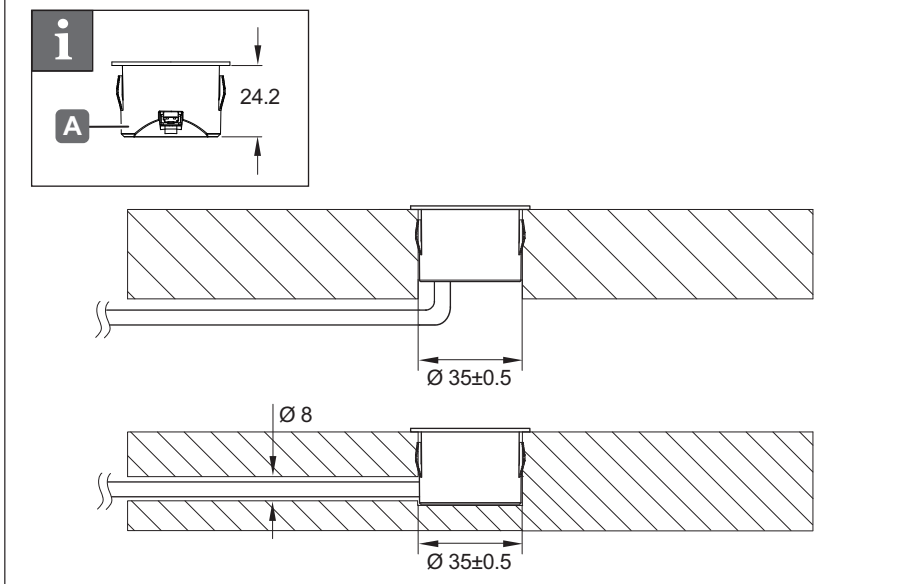
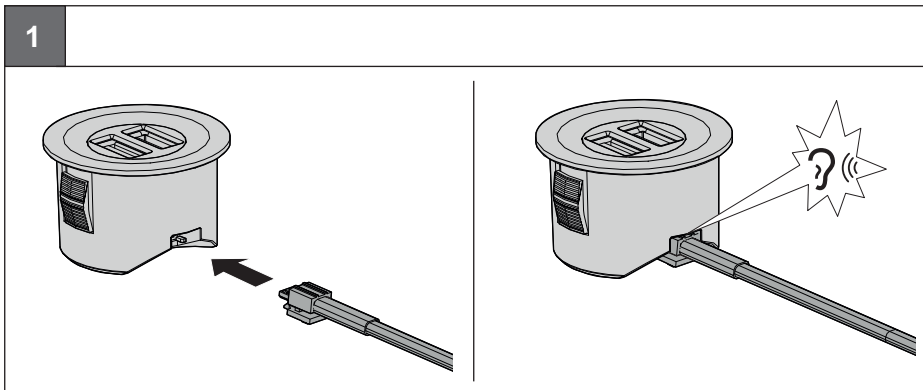






100 - 240 V~

HDE 21.02.2022



732.26.237

HDE 21.02.2022