

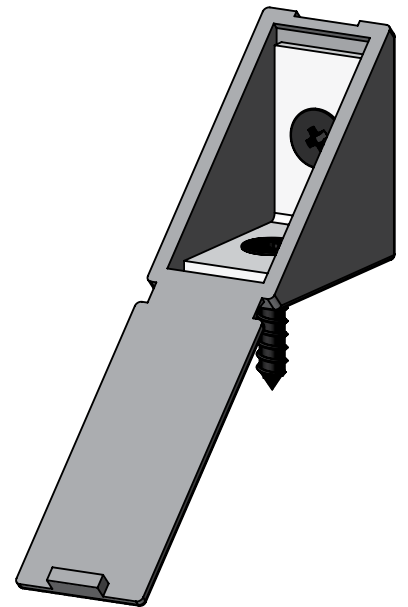
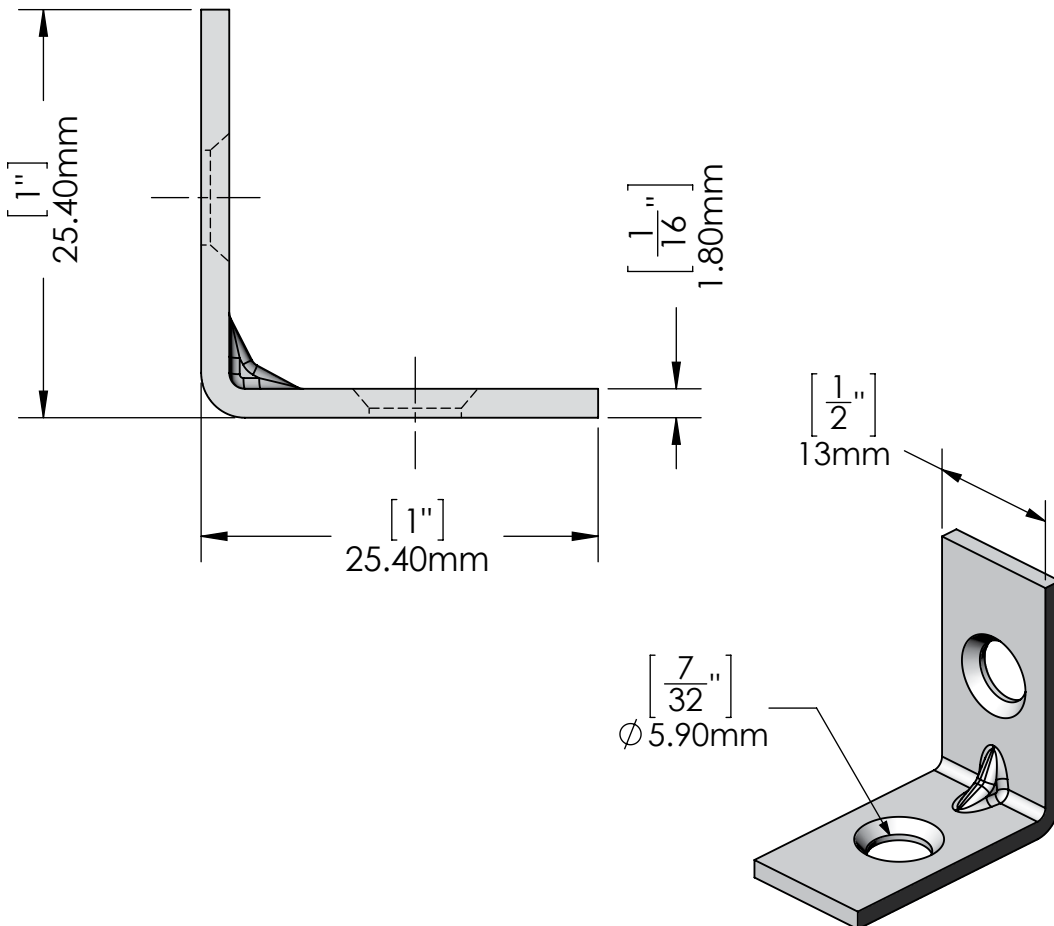
## STEEL ANGLE L BRACKETS 300.4660.STL

### DESCRIPTION & SPECIFICATIONS

The Steel Angle L Bracket fits inside the plastic Angle Bracket to provide additional support when fixing partitions to a wall.

SIZE & CAPACITY | One Size (fits plastic Angle Bracket 300.4661)

AVAILABLE FINISHES |



### INSTRUCTIONS & SPECIFICATIONS

STEP 1: Press the Steel Angle L Bracket into the plastic Angle Bracket 300.4661.

STEP 2: Fix bracket to partition and wall using wood screws.

STEP 3: Close the flap and snap into place to conceal hardware.

- Two (2) wood screws required for each Angle Bracket.